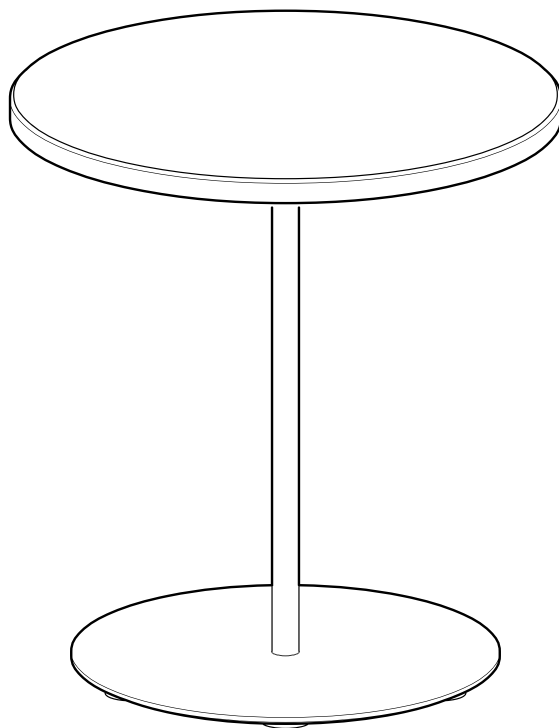


PYRO COFFEE TABLE



DESIGN BY SYLVAIN WILLENZ

HAY

- CAUTION -

With a little care you can prolong the life of your furniture. Follow the instructions for the materials of your specific product to make sure that it stays in the best shape for as long as possible. The information below is only intended as a general guideline.

CAUTION

- Do not sit or stand on the ceramic surface.
- Do not use the ceramic surface as a chopping board.
- Do not strike the ceramic surface with hard or pointed items.
- Be careful not to scratch or damage the surface with sharp objects.
- Do not place hot or very cold items directly on the ceramic surface.

CLEANING & CARE

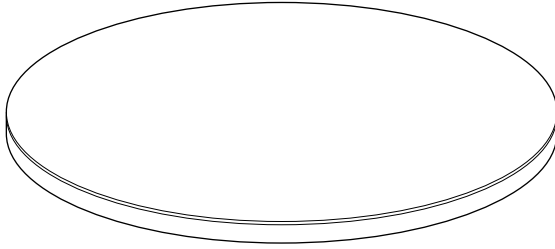
CERAMIC

Always use coasters or table mats to protect the ceramic surface. When cleaning the ceramic surface, use a damp cloth with a suitable neutral cleaning detergent or a mild ceramic cleaner. Remove soap residue immediately using a clean, dry cloth. Do not use scouring cream or scouring pads, as they may scratch the glass surface.

STORAGE / OUTDOOR FURNITURE

The lifespan of your furniture will vary depending on the weather and type of use. We recommend that it is stored in a dry, ventilated place during winter and protected against scratches and bumps. Wipe off the furniture if it becomes wet after rain or snowfall as this will damage the surface over time. Make sure to wipe off any sun cream or other liquids from the furniture after use, as these can leave stains on the surface if left in direct sunlight.

- PARTS -



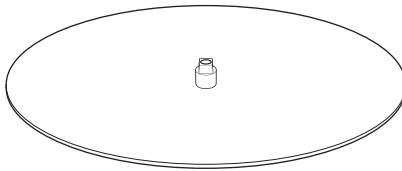
A Tabletop x1



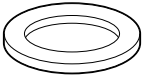
B Washers x4



C Endcap x4



D Base x1



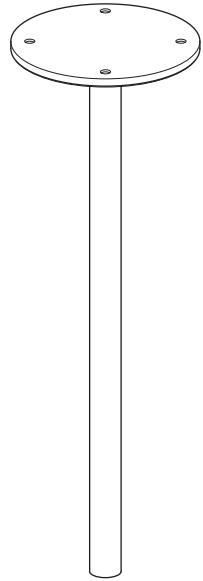
E Washer x1



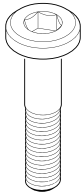
F Washer x1



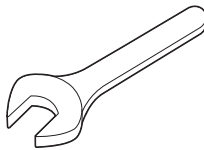
G Lock washer x1



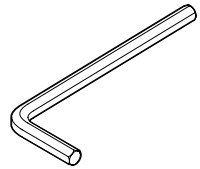
H Column x1



I Screw x1



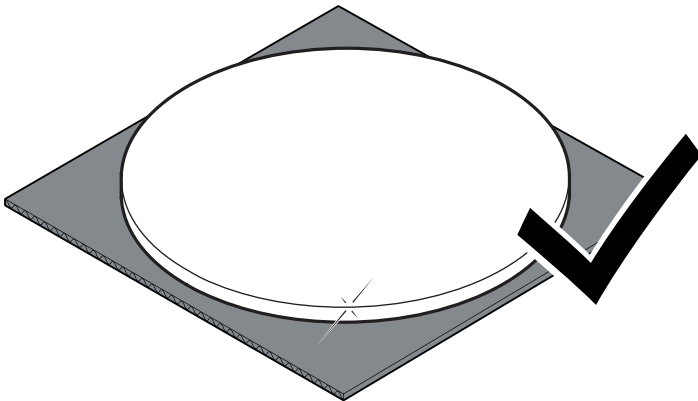
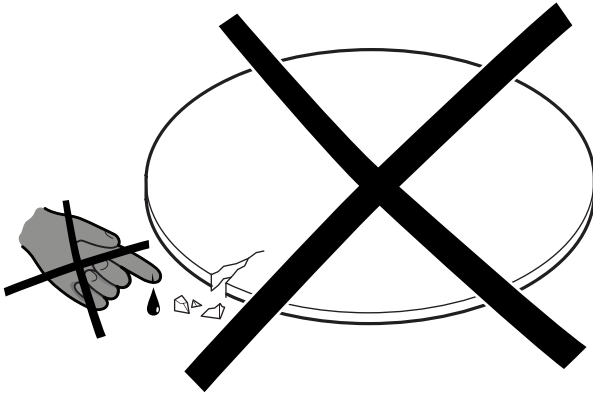
J Wrench x1



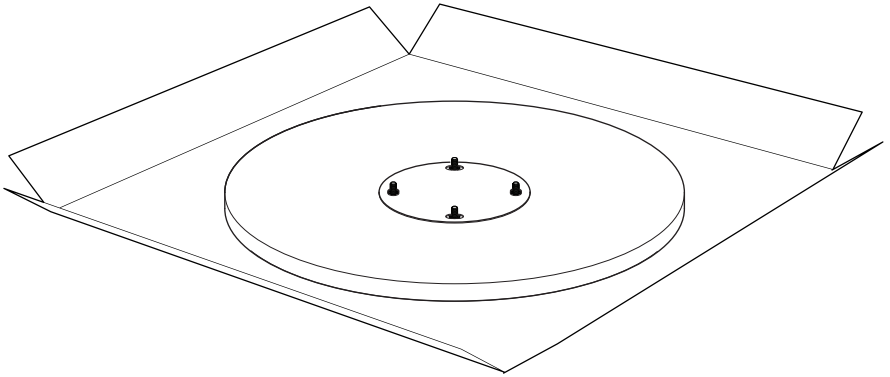
K Allen key x1

- WARNING -

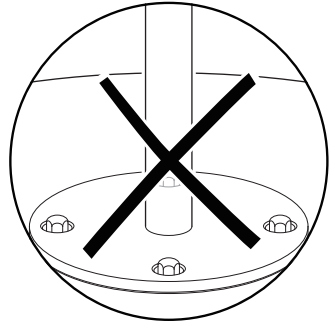
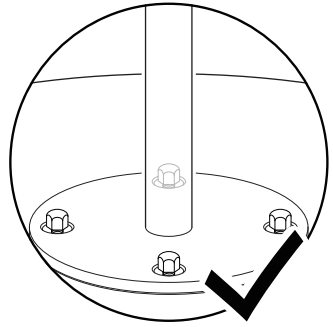
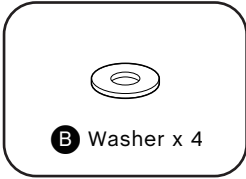
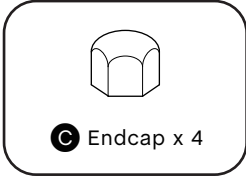
Protect the product from scratches and other damage while assembling
by using the packaging material as an underlay.
Never handle a damaged tabletop without gloves, as shards can be very sharp.



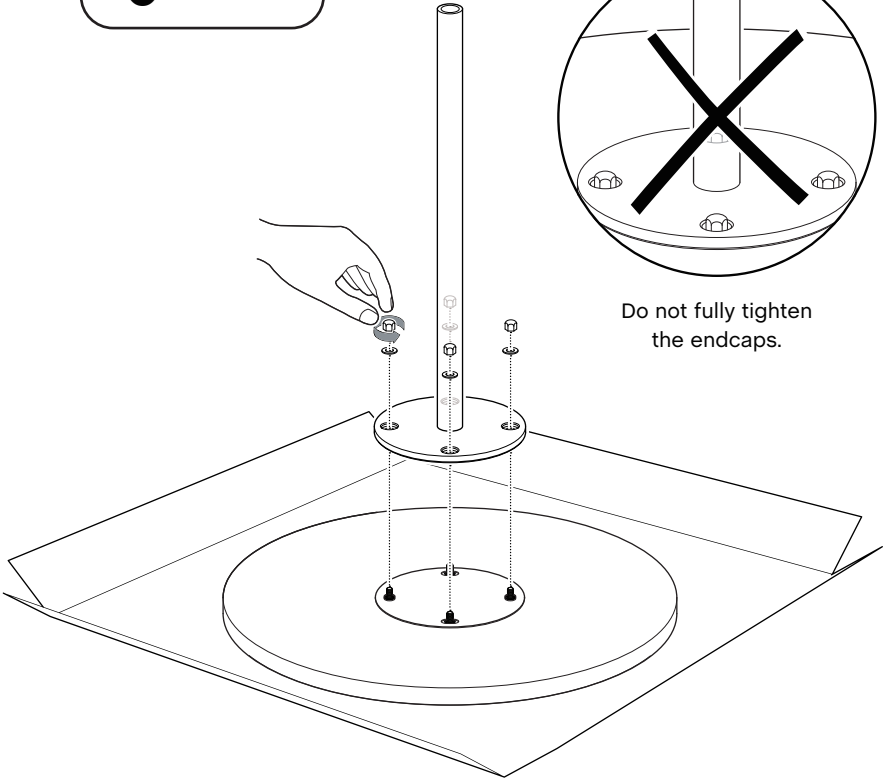
1.



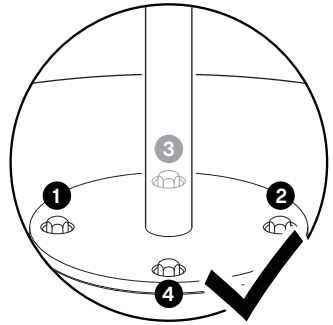
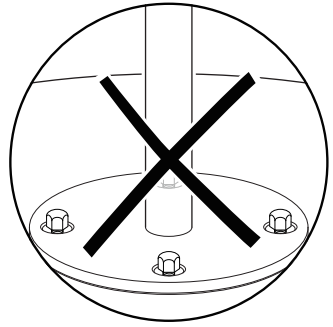
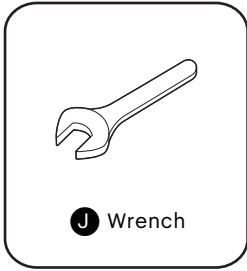
2.



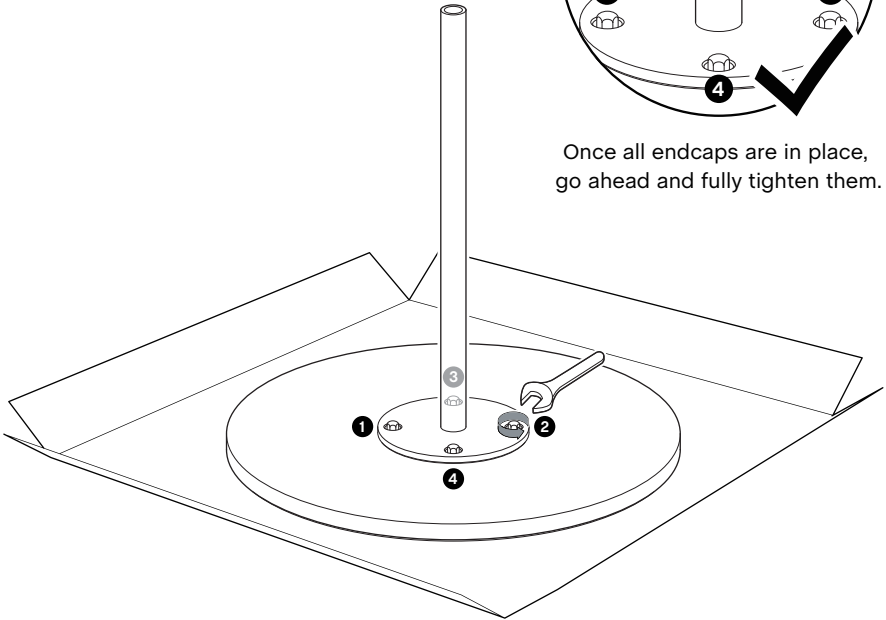
Do not fully tighten
the endcaps.



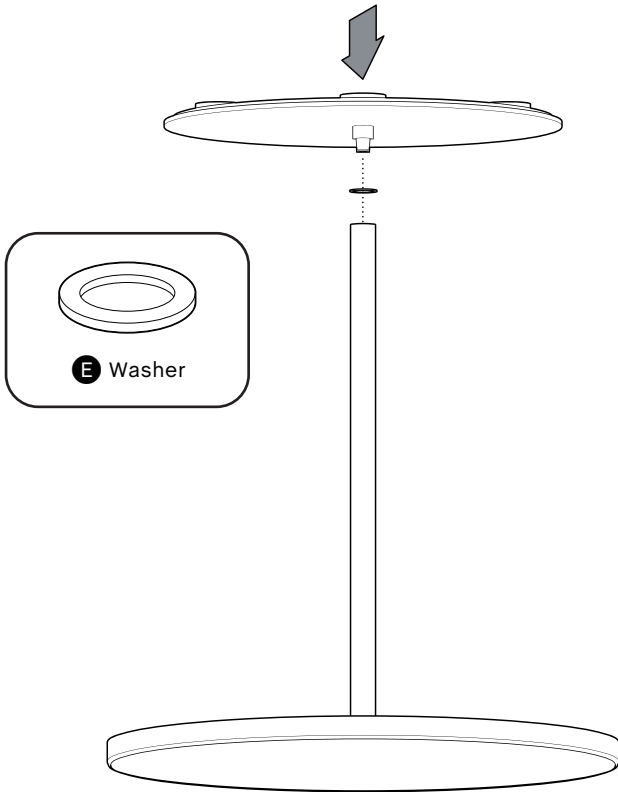
3.



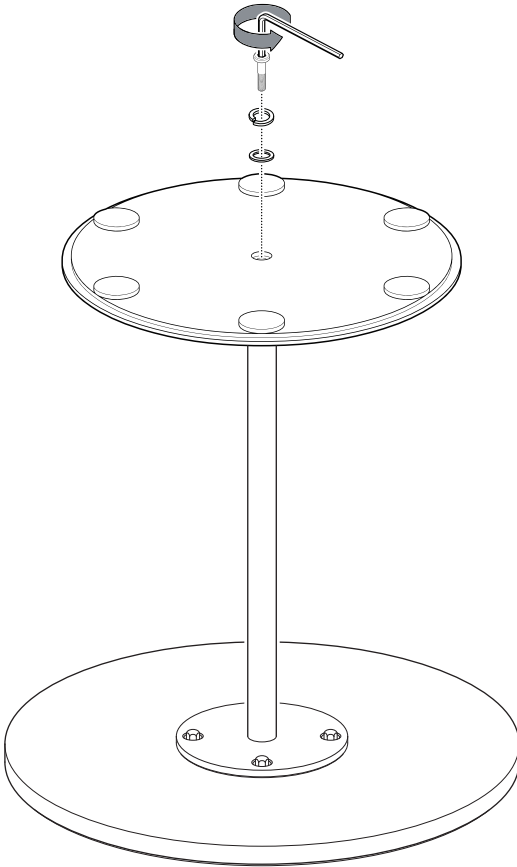
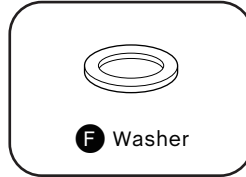
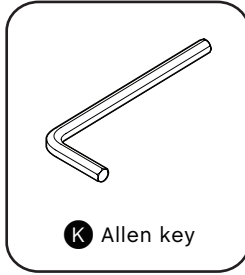
Once all endcaps are in place, go ahead and fully tighten them.



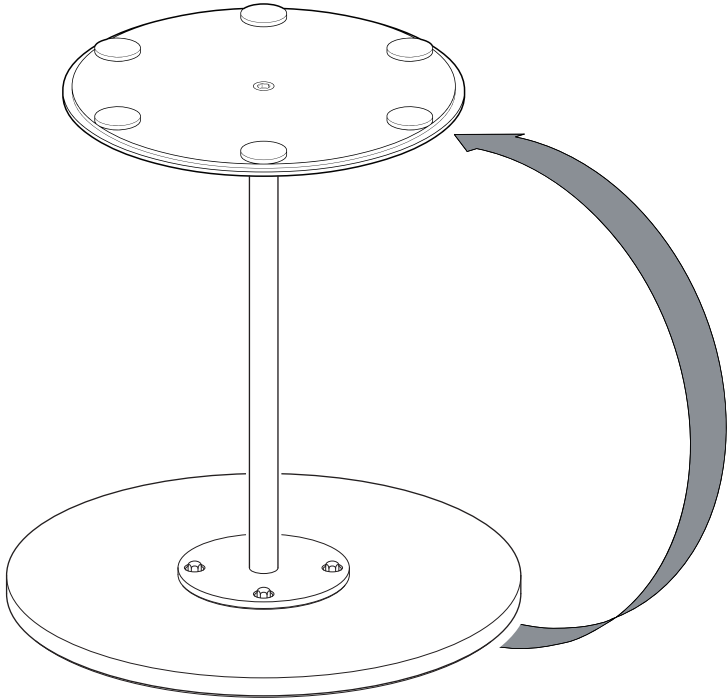
4.



5.

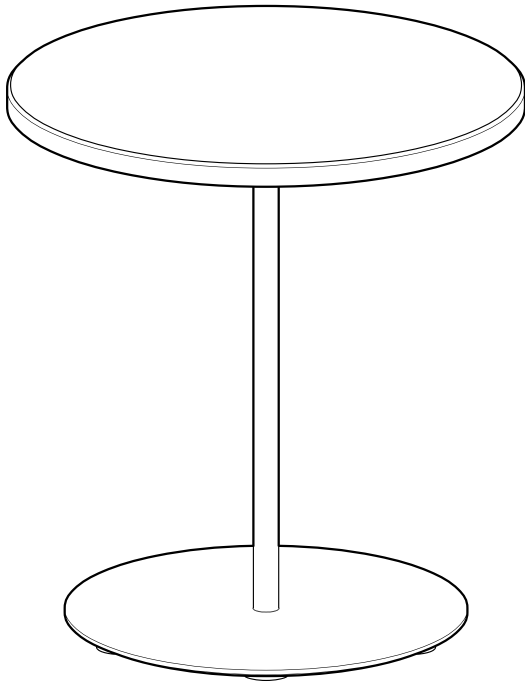


6.



7.

Ready to use.



Our Care & Maintenance offers guidance for optimal maintenance of your HAY product. It includes advice and instructions on cleaning and caring for specific materials to prolong the life of your furniture.



Please find our Care & Maintenance guide by scanning the QR code



You can find more relevant information on Ceramic Table by scanning the QR code

You can also find the same information here
hay.dk/downloads

Havnen 3 8700 Horsens Denmark
+45 3164 6000 / hay@hay.com

11/11/2024

HAY

